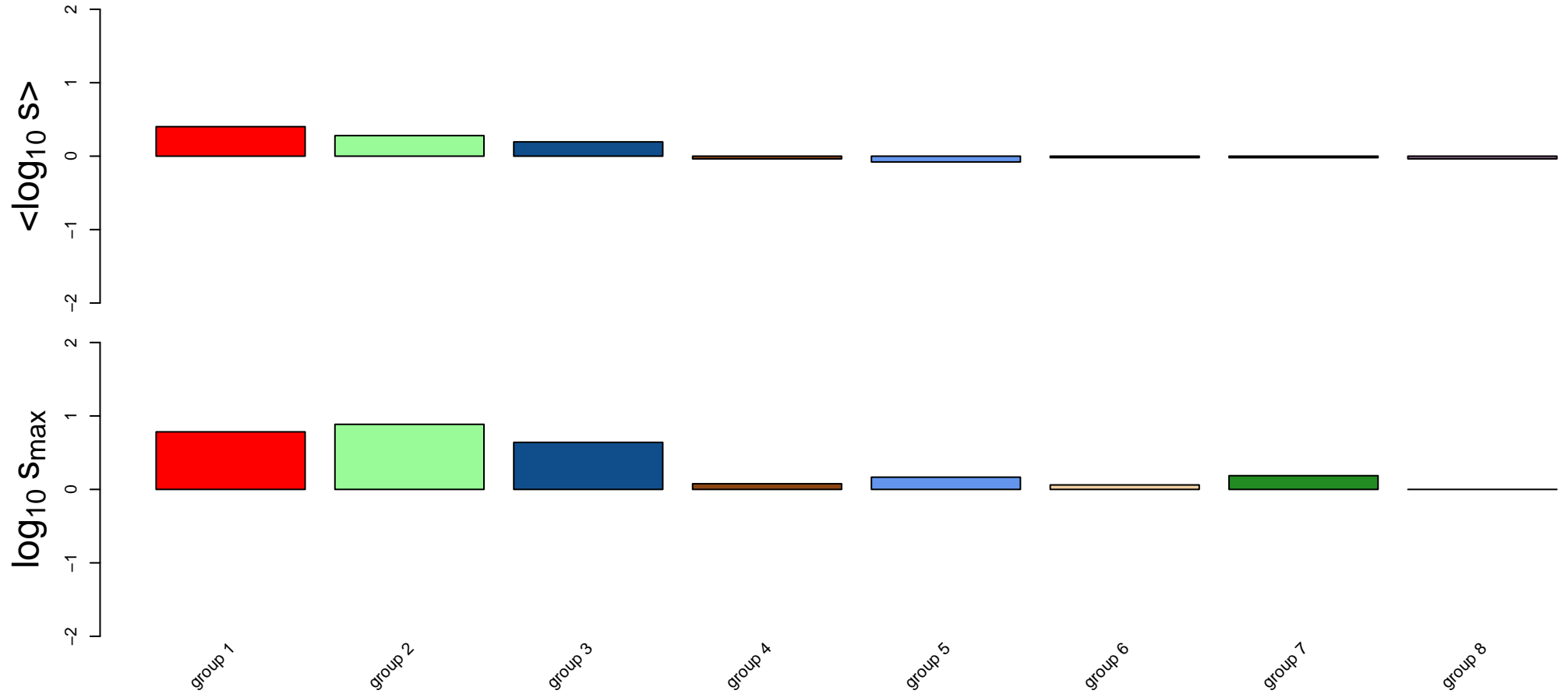
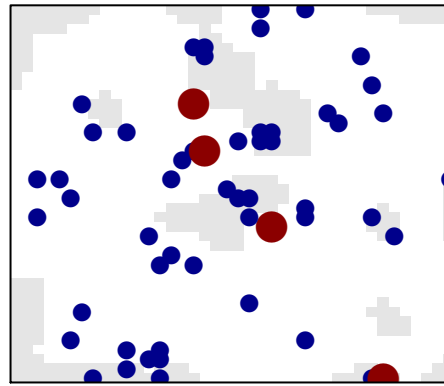
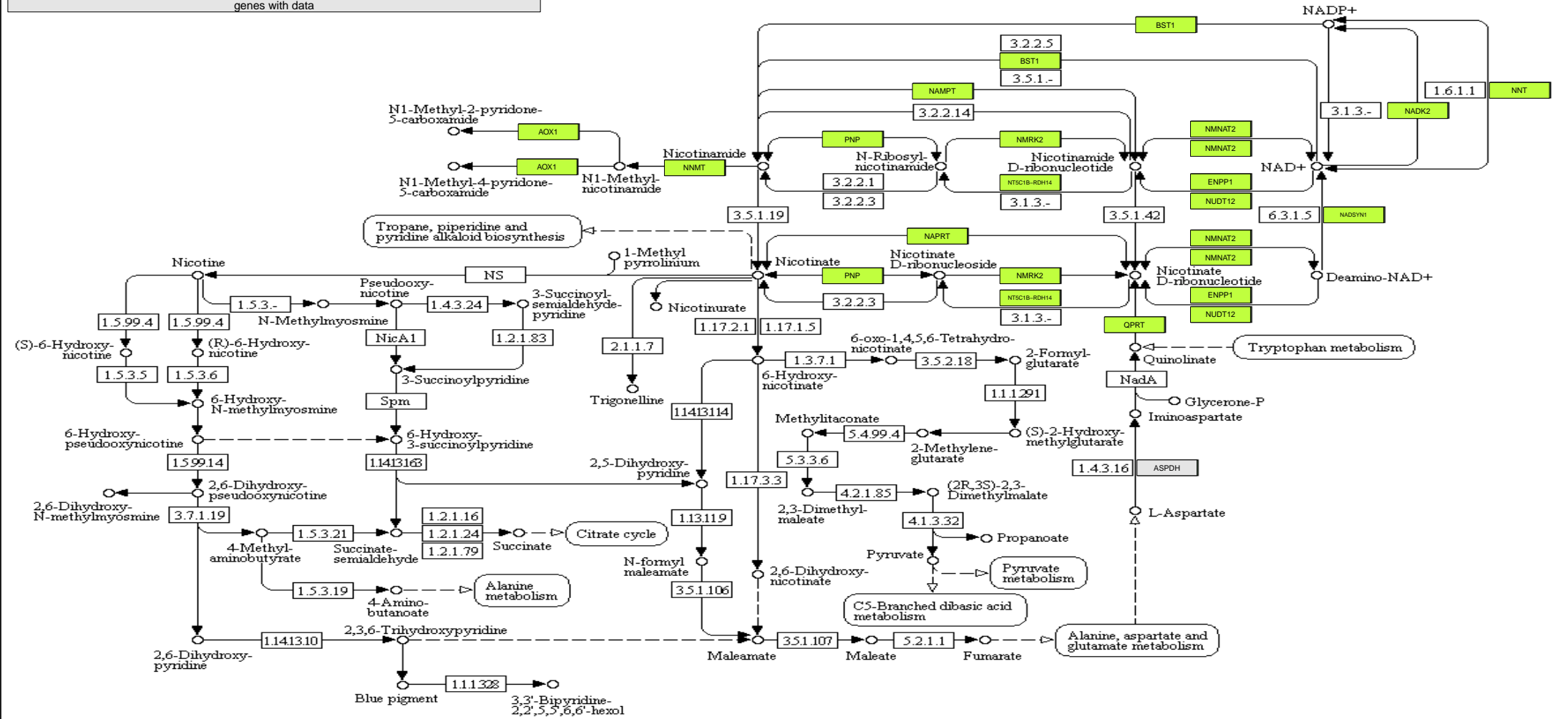


# Nicotinate and nicotinamide metabol

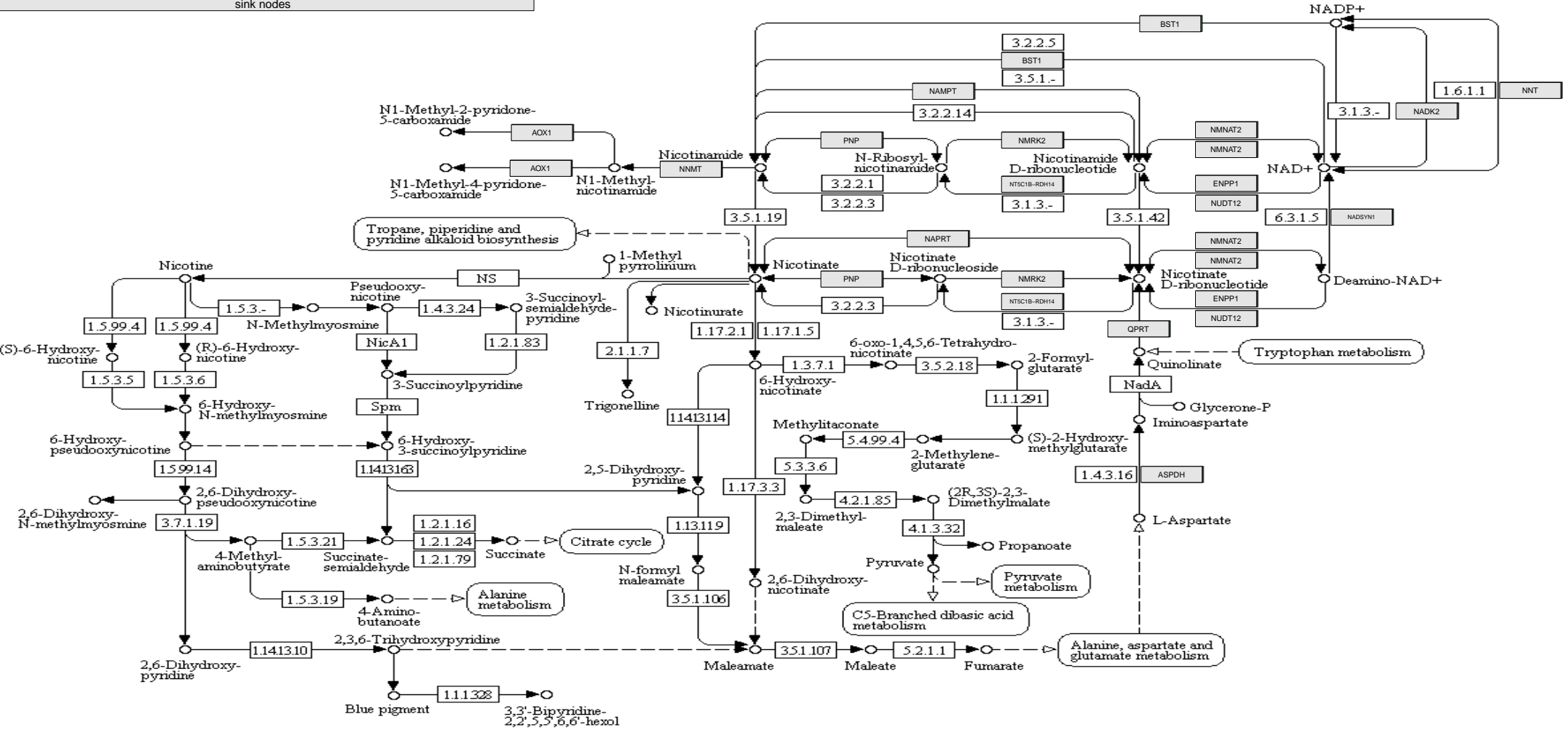
all genes



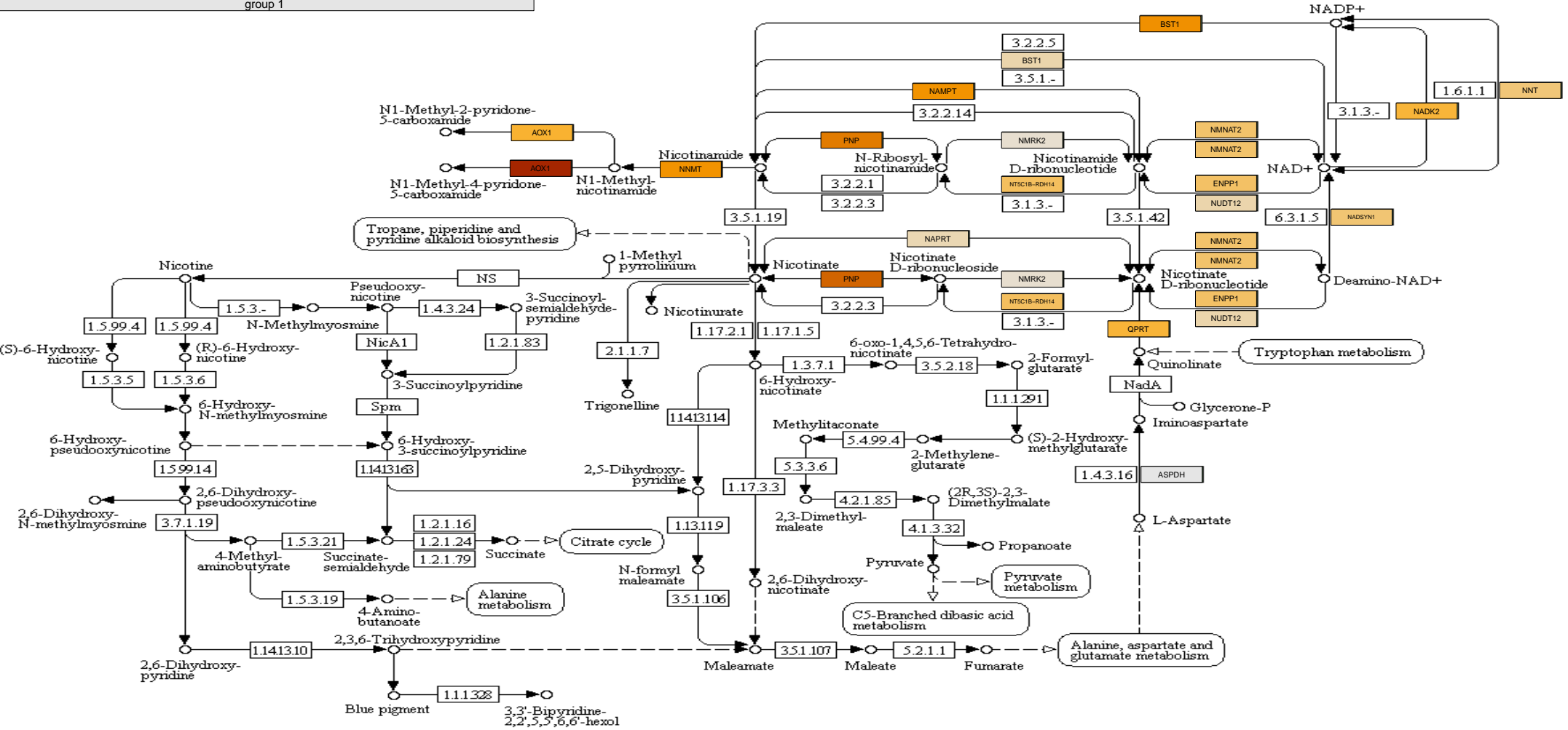
Nicotinate\_and\_nicotinamide\_metabolism  
genes with data



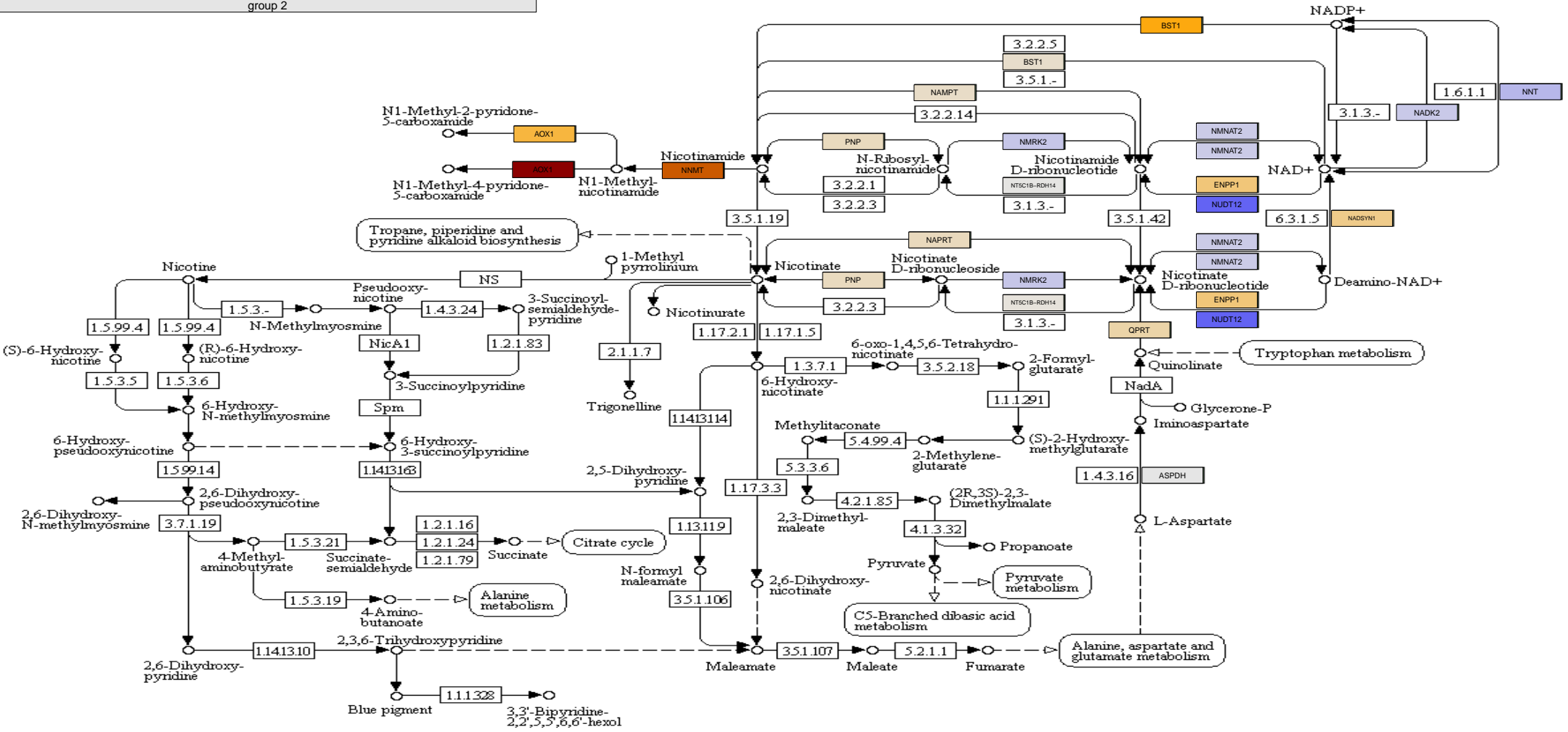
Nicotinate\_and\_nicotinamide\_metabolism  
sink nodes



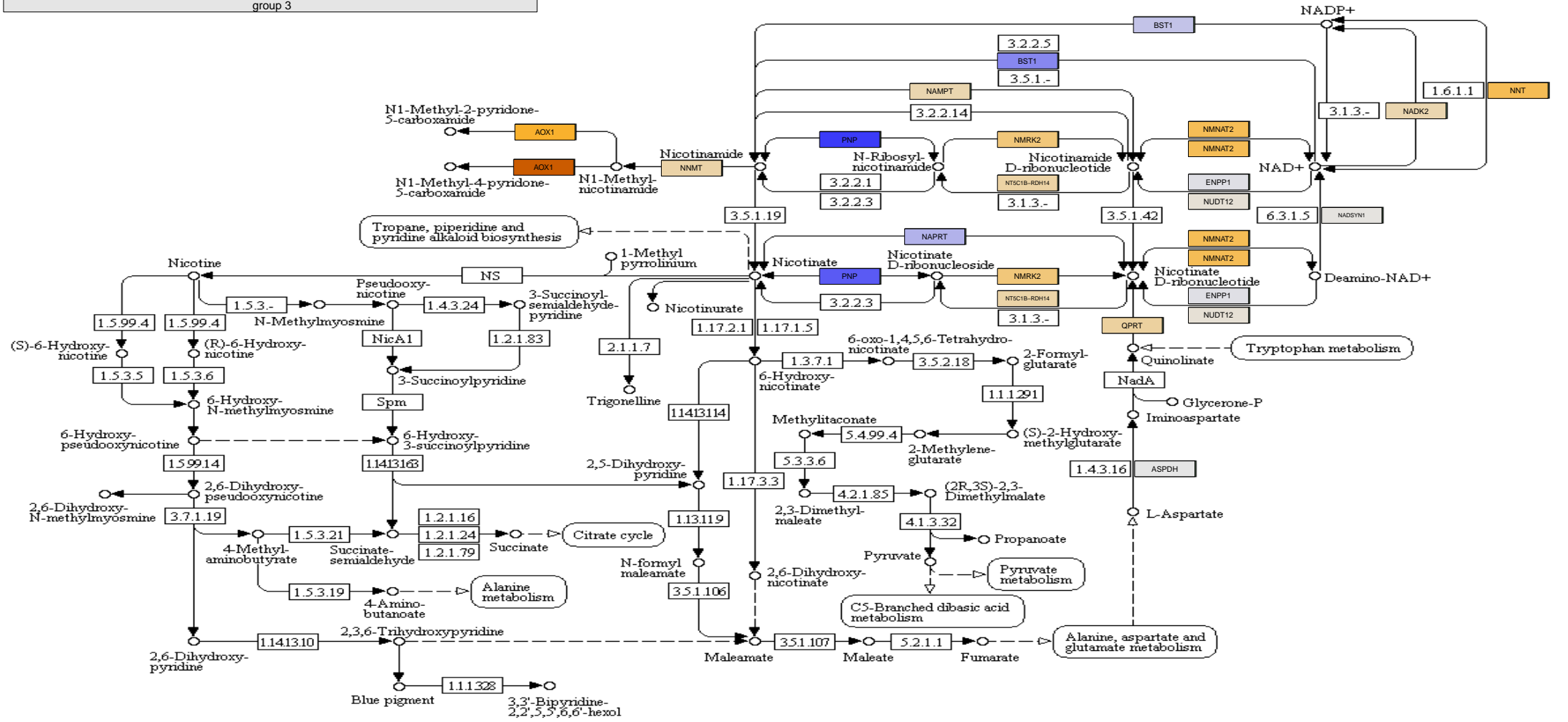
Nicotinate\_and\_nicotinamide\_metabolism  
group 1



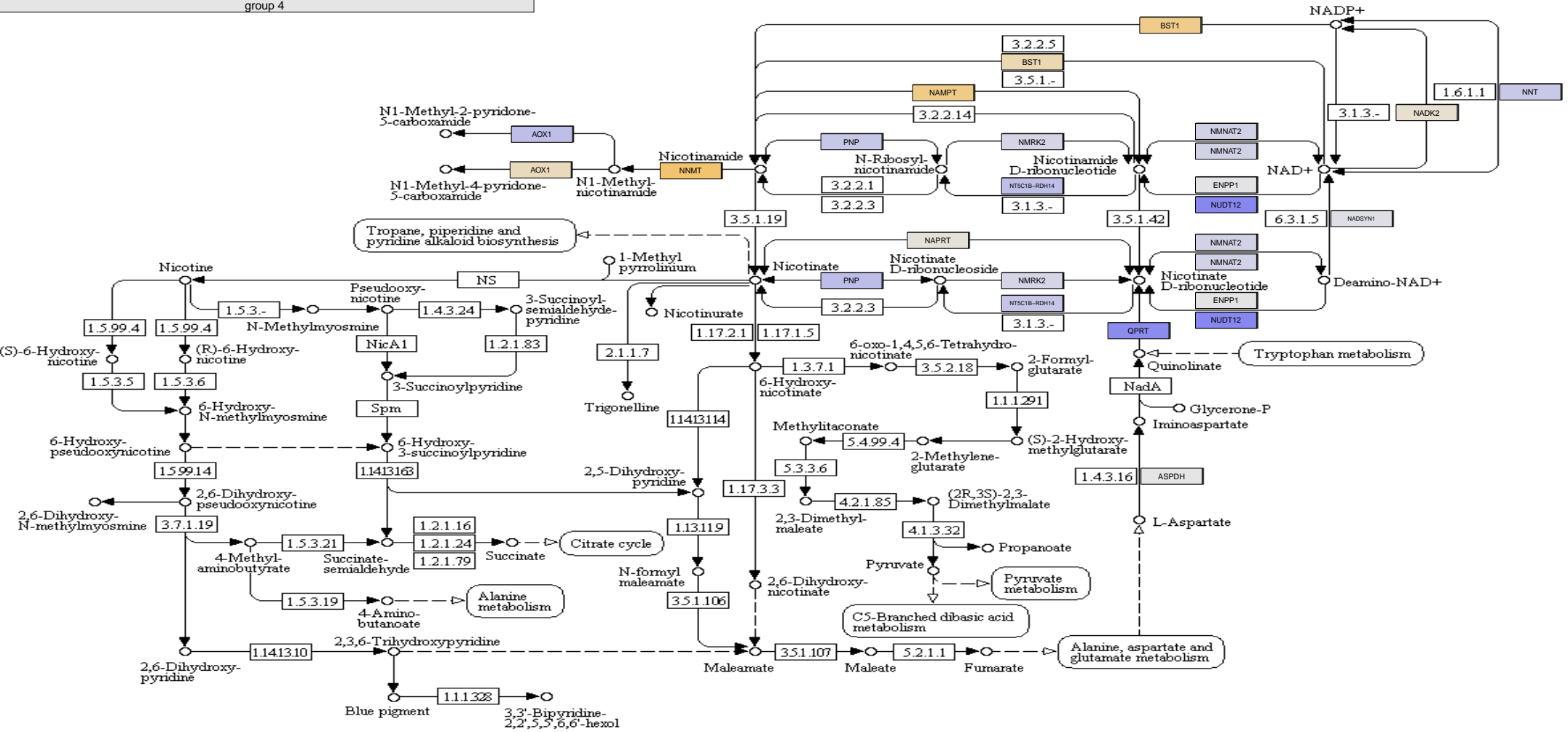
Nicotinate\_and\_nicotinamide\_metabolism  
group 2



Nicotinate\_and\_nicotinamide\_metabolism  
group 3



Nicotinate\_and\_nicotinamide\_metabolism  
group 4



Nicotinate\_and\_nicotinamide\_metabolism  
group 5

